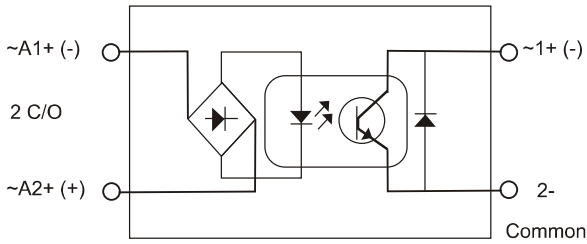
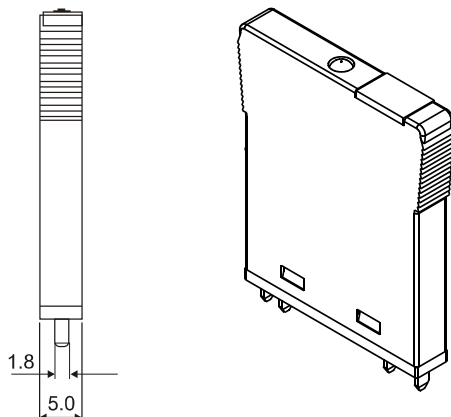
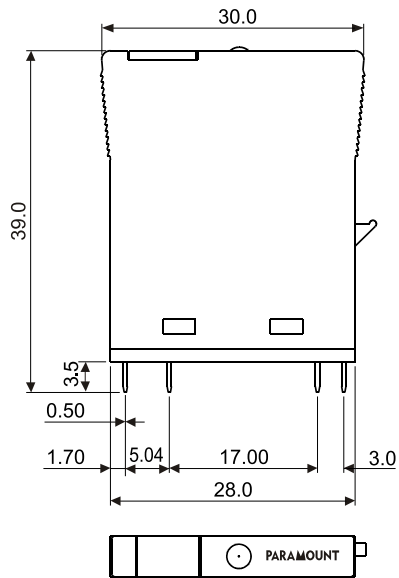




Pin configuration



Dimensions in mm.



P5SP

Solid State Relay for Input Application

DC Resistive Load
Common Negative Output (common Positive Output can be given on request)
One Open Contact
100mAmps @ 32VDC Max.

Input Parameters

S/N	Nominal Input Voltage in VAC	Must ON Voltage in VAC	Must OFF Voltage in VAC	Operating Vg Range in VAC
1	5	4.0	3.6	4.0 - 5.5
2	12	9.6	8.5	9.6 - 13.2
3	24	19.2	17.0	19.2 - 26.4
4	48	38.4	34.0	38.4 - 52.8
5	110	85.0	75.0	85.0 - 125.0
6	220	195.0	174.0	185.0 - 250.0

S/N	Nominal Input Voltage in VAC	Must ON Voltage in VAC	Must OFF Voltage in VAC	Operating Vg Range in VAC
1	110	85	75	85 - 125
2	230	185	165	185 - 250

Input Current

5 / 12 / 24 / 48 / 110 / 220 VDC } 4 mA Max.

Output Parameters

Max. Output Current 100mA DC
Max. Output Voltage 32 VDC
Max. Leakage Current 100 µA

Specification

Isolation Between Input / Output 1.2 KV
Operate Time @ Rated voltage 7 msces Max
Release Time @ Rated voltage 20 msces Max.
Working Temperature Max. 60° C
Storage Temperature -40° C to 85° C
Weight 5.5 gms

Application

For input applications, for PLC controller,
for low current / low voltage DC signaling application

Standard Types

DC : 5, 12, 24, 48, 110 P5SP - DI Input voltage
AC : 110, 230 P5SP - DI VDC
P5SP - DI VAC

Suitable Socket : S5D, S5P

Approvals